

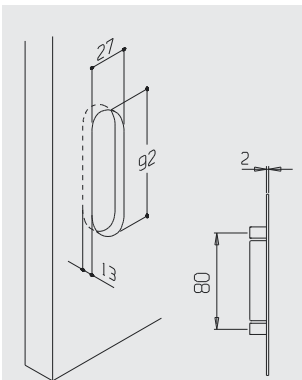
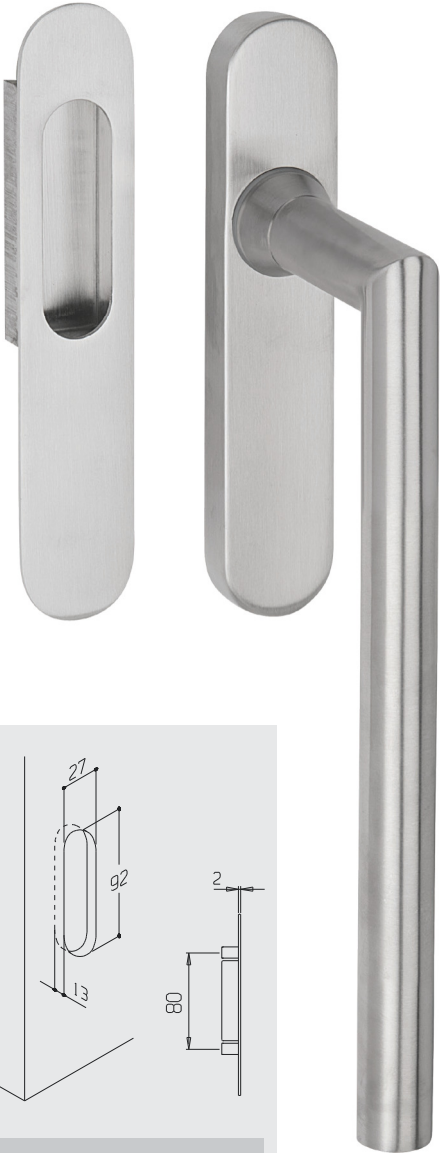
MATERIAL MATERIAL

**INOX  
AISI 304**

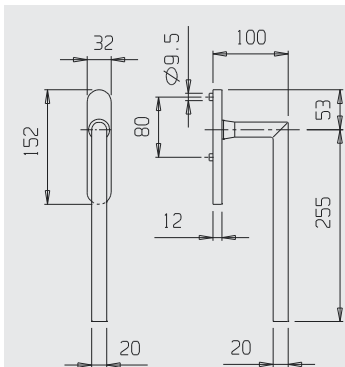
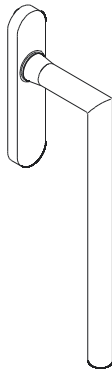
FINITURA FINISH

**F60**

INOX SATINATO SATIN S. STEEL



FRESATURA PER NICCHIA  
MILLING FOR FLUSH HANDLE



ARTICOLO  
A RICHIESTA  
ARTICLE  
ON REQUEST



ALTEZZA  
IMPUGNATURA  
RIDOTTA  
LOW  
HANDLE HEIGHT

**102.AL.RI.60**



**102.AL01.60**

ALZANTE

LIFT AND SLIDE  
WINDOW HANDLE



**102.AL04.60**

ALZANTE  
FORO CILINDRO

LIFT AND SLIDE WINDOW HANDLE  
WITH PLATE CYLINDER HOLE



**102.AL02.60**

ALZANTE CON NICCHIA

LIFT AND SLIDE WINDOW HANDLE  
WITH FLUSH NICHE



**102.AL05.60**

ALZANTE FORO CILINDRO  
CON NICCHIA

LIFT AND SLIDE WINDOW HANDLE  
WITH PLATE CYLINDER HOLE  
AND FLUSH NICHE



**102.AL03.60**

COPPIA ALZANTI

PAIR OF LIFT AND SLIDE  
WINDOW HANDLES



**102.AL06.60**

COPPIA ALZANTI  
FORO CILINDRO

PAIR OF LIFT AND SLIDE  
WINDOW HANDLES  
WITH PLATE CYLINDER HOLE